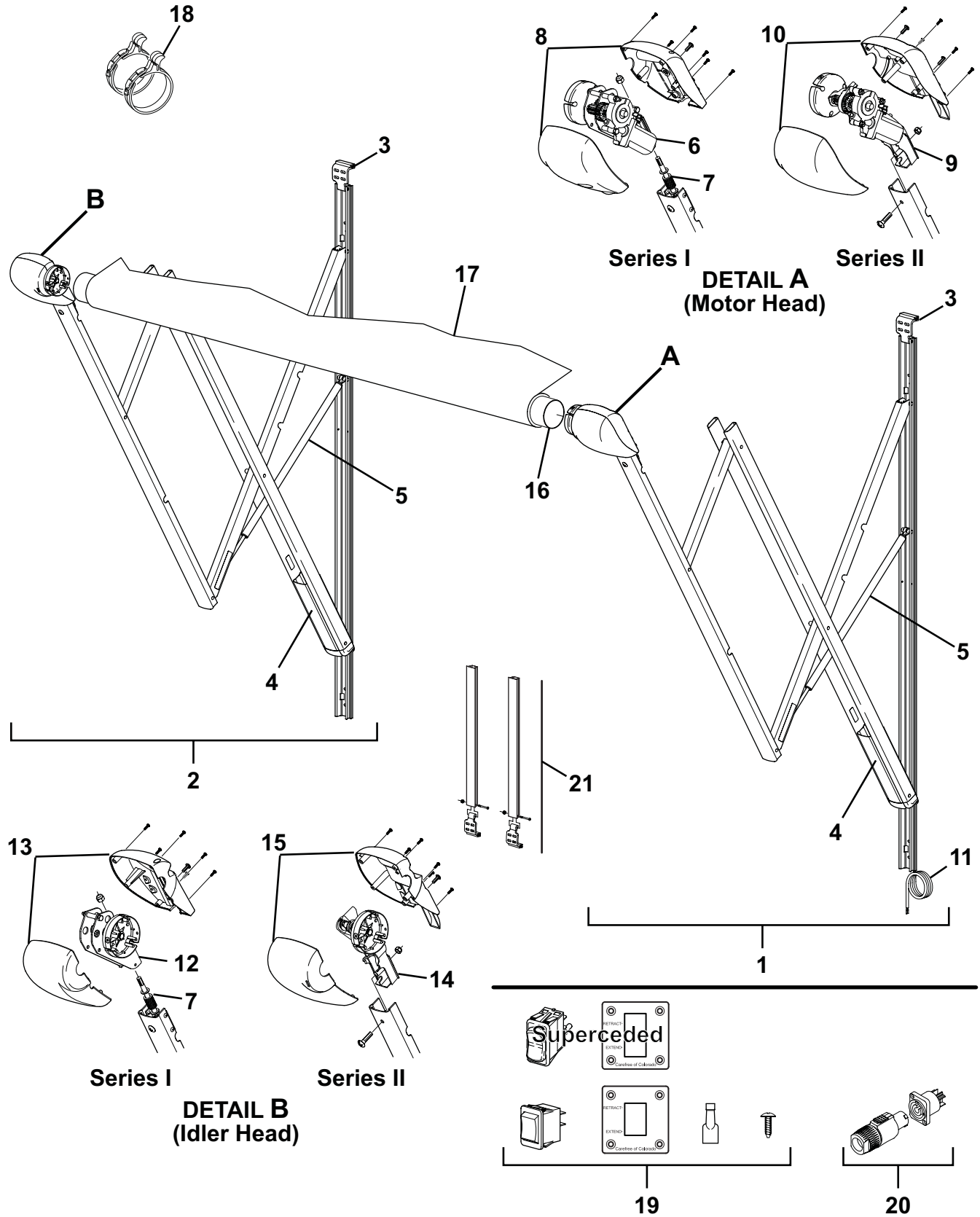




ILLUSTRATED PARTS LIST

TRAVEL'R

TRAVEL'R ILLUSTRATED PARTS LIST



Item	Part Number	Description	Notes
1	Contact Carefree for Order Information	1/2 Set Hardware, Arm Assy, Motorized, RH	Flat Pitch 2
2		1/2 Set Hardware, Arm Assy, Motorized, RH	Steep Pitch 2
3		1/2 Set Hardware, Arm Assy, Idler, LH	Flat Pitch 2
4		1/2 Set Hardware, Arm Assy, Idler, LH	Steep Pitch 2
5	R001094XXX	Top Mounting Bracket	Used w/ Aftermarket Only 1
6	R001532XXX	Fascia	Flat Pitch 1,3
7	R001533XXX	Fascia	Steep Pitch 1,3
8	R001252	Gas Shock	Flat Pitch
9	R001331	Gas Shock	Steep Pitch
10	R001104XXX	Motor Assy	Series I 1
11	R001323	Kit, Head Attach Hardware	Series I
12	R001324XXX	Kit, Motor Cover	Series I 4
13	R001326XXX	Kit, Motor Assy	Series II 1,5
14	R001328XXX	Kit, Motor Cover	Series II 1,4
15	R060414-00X	Cable, Motor	
16	R001107XXX	Idler Assy	Series I 1
17	R001325XXX	Kit, Idler Cover	Series I 1,4
18	R001327XXX	Kit, Idler Assy	Series II 1,5
19	R001329XXX	Kit, Idler Cover	Series II 1,4
20	19xx00	Roller Tube, 3-slot	3 1/2" Dia
21		Canopy	Refer to Canopy Order Form
	R001246XXX-xxx	Uniguard	
	R001247XXX-xxx	Soft Connect	
22	R00928	Tractioner	set of two
23	R001330	Kit, Single Switch Series I (6 prongs)	6
24	R001336	Kit, Single Switch Series II (4 prongs)	
25	R00786	Connector, Plug & Receptacle	
26	R014634-0JV	Extension Kit Black	
27	R014634-025	Extension Kit White	
	<i>The following parts are not shown</i>		
	R014492-251	Hardware Pack, w/Top Bracket	
	R014492-JV1	Hardware Pack, w/Top Bracket	Black

- Notes:
1. XXX = Color; xxx= Length in inches.
 2. Arm assemblies are configuration specific and cannot be interchanged. When ordering, provide the following information: part number, serial number, and flat/steep pitch.
 3. Fascia kit includes one fascia and screws.
 4. Head cover kits include one front cover, one rear cover and screws.
 5. Series II replacement motor and idler assemblies includes screw and nut.
 6. Switch kit includes switch, face plate, 4 screws and 4 loose terminals.