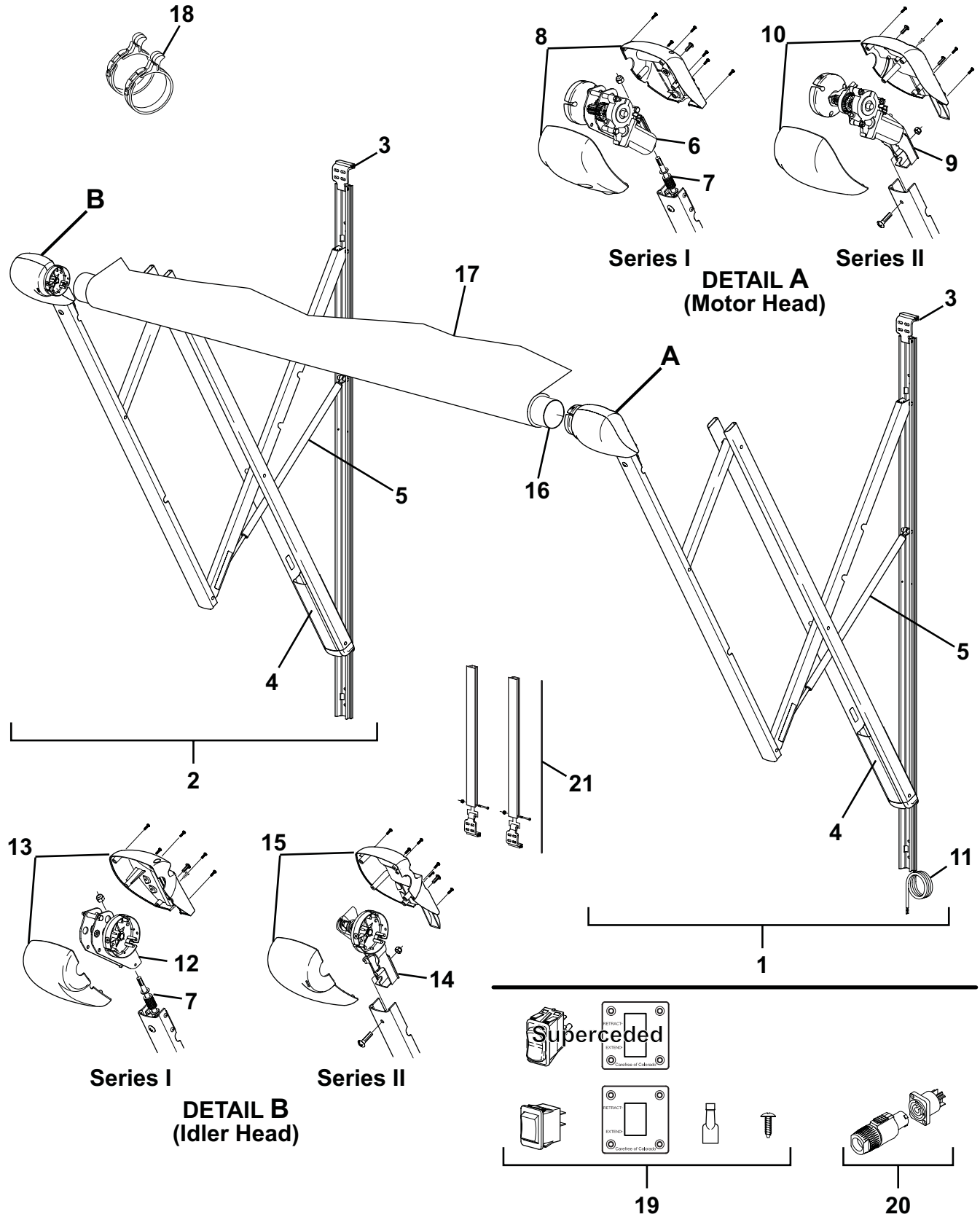




ILLUSTRATED PARTS LIST

TRAVEL'R

TRAVEL'R ILLUSTRATED PARTS LIST



| Item | Part Number | Description | Notes |
|-------------|--|---|-------------------------------|
| 1 | Contact Carefree for Order Information | 1/2 Set Hardware, Arm Assy, Motorized, RH | Flat Pitch 2 |
| 2 | | 1/2 Set Hardware, Arm Assy, Motorized, RH | Steep Pitch 2 |
| 3 | | 1/2 Set Hardware, Arm Assy, Idler, LH | Flat Pitch 2 |
| 4 | | 1/2 Set Hardware, Arm Assy, Idler, LH | Steep Pitch 2 |
| 5 | R001094XXX | Top Mounting Bracket | Used w/ Aftermarket Only 1 |
| 6 | R001532XXX | Fascia | Flat Pitch 1,3 |
| 7 | R001533XXX | Fascia | Steep Pitch 1,3 |
| 8 | R001252 | Gas Shock | Flat Pitch |
| 9 | R001331 | Gas Shock | Steep Pitch |
| 10 | R001104XXX | Motor Assy | Series I 1 |
| 11 | R001323 | Kit, Head Attach Hardware | Series I |
| 12 | R001324XXX | Kit, Motor Cover | Series I 4 |
| 13 | R001326XXX | Kit, Motor Assy | Series II 1,5 |
| 14 | R001328XXX | Kit, Motor Cover | Series II 1,4 |
| 15 | R060414-00X | Cable, Motor | |
| 16 | R001107XXX | Idler Assy | Series I 1 |
| 17 | R001325XXX | Kit, Idler Cover | Series I 1,4 |
| 18 | R001327XXX | Kit, Idler Assy | Series II 1,5 |
| 19 | R001329XXX | Kit, Idler Cover | Series II 1,4 |
| 20 | 19xx00 | Roller Tube, 3-slot | 3 1/2" Dia |
| 21 | | Canopy | Refer to Canopy Order Form |
| | R001246XXX-xxx | Uniguard | |
| | R001247XXX-xxx | Soft Connect | |
| 22 | R00928 | Tractioner | set of two |
| 23 | R001330 | Kit, Single Switch Series I (6 prongs) | 6 |
| 24 | R001336 | Kit, Single Switch Series II (4 prongs) | |
| 25 | R00786 | Connector, Plug & Receptacle | |
| 26 | R014634-0JV | Extension Kit Black | |
| 27 | R014634-025 | Extension Kit White | |
| | <i>The following parts are not shown</i> | | |
| | R014492-251 | Hardware Pack, w/Top Bracket | |
| | R014492-JV1 | Hardware Pack, w/Top Bracket | Black |

- Notes:
1. XXX = Color; xxx= Length in inches.
 2. Arm assemblies are configuration specific and cannot be interchanged. When ordering, provide the following information: part number, serial number, and flat/steep pitch.
 3. Fascia kit includes one fascia and screws.
 4. Head cover kits include one front cover, one rear cover and screws.
 5. Series II replacement motor and idler assemblies includes screw and nut.
 6. Switch kit includes switch, face plate, 4 screws and 4 loose terminals.