



SIDE SHADE INSTALLATION INSTRUCTIONS

1. Mount the upper bracket $\frac{1}{2}$ " past the edge of the canopy and $\frac{1}{2}$ " below the awning rail with the #10 screw or molly rivet provided. (Refer to Figure 1)

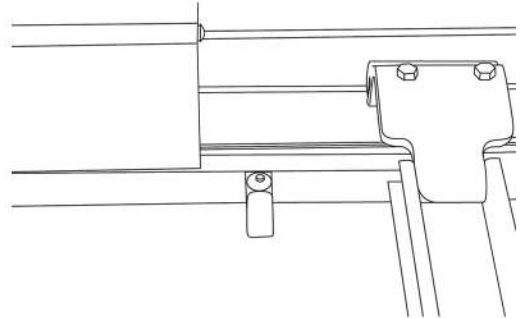


Figure 1. Coach Bracket Position

2. Mount Roller Bracket.

- 2.1. For Dometic Awnings mount the roller bracket on the roller tube between the valance and the bottom slot of the roller and $\frac{1}{2}$ " from the canopy. Mark the mounting holes on the roller. Using a $\frac{3}{16}$ " drill bit pre drill the holes and mount the bracket using the pop rivets provided. (Refer to Figure 2)

- 2.2. For Carefree awnings WITHOUT the rubber tractioner mount the brackets on the roller using the instructions for the Dometic awning.

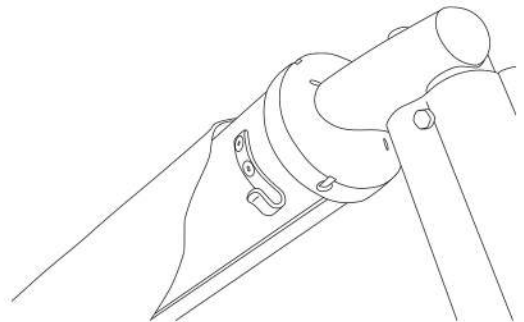


Figure 2. Roller Bracket Position

- 2.3. For Carefree awnings with a rubber tractioner, mount the bracket on the roller cap. (Refer to Figure 3) Mark the mounting holes on the cap. Using a $\frac{3}{16}$ " drill bit pre drill the holes and mount the bracket using the pop rivets provided. (Refer to Figure 4)

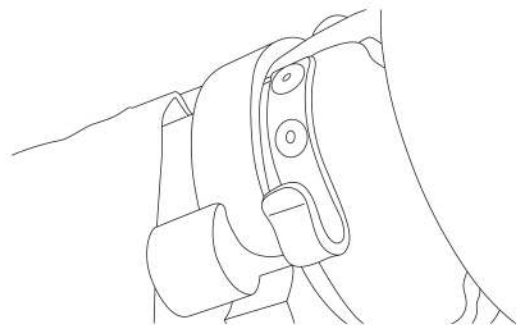


Figure 3. Carefree with Rubber Tractioner Position

- 2.4. There are two sets of brackets that can be mounted on both sides of the awning allowing you to move the shade to either side depending on the sun.

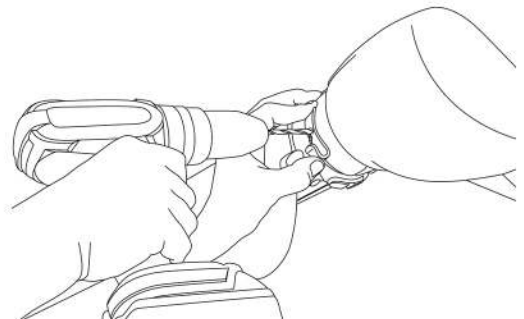


Figure 4. Use $\frac{3}{16}$ " Drill

3. There are four loops sew on the rear of the side shade. (Refer to Figure 5) Use the loop that matches the pitch your awning the best, you may need to set the side shade up on the RV in different loops get the best fit.

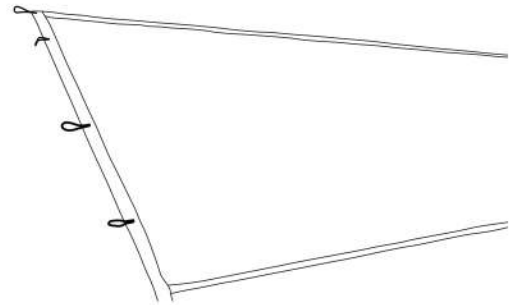


Figure 5. Four Loops

4. 4.1. Place the desired loop on the assist cane and hook the loop over the bracket on the coach. (Refer to Figure 6)

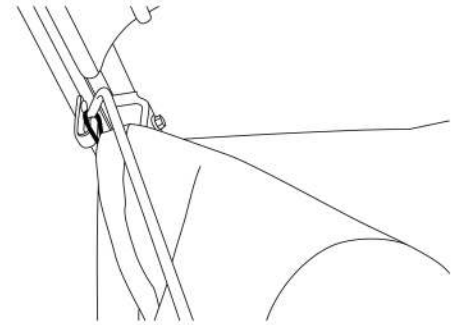


Figure 6. Select Loop and Hook to Coach Bracket

- 4.2. Then use the cane to attach the adjustment loop over the roller bracket. (Refer to Figure 7)

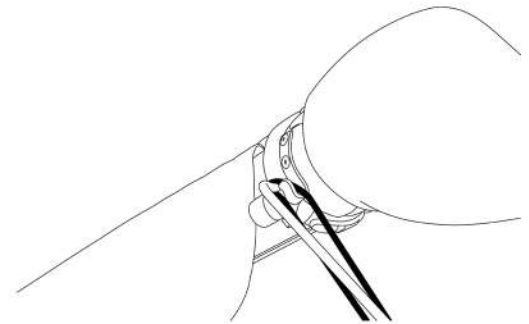


Figure 7. Hook Adjustment Loop Over Roller Bracket

5. Pull the adjustment cord taught, the shade should be tight from the coach to the roller. For the side shade to tension properly the adjustment cord needs to go through the grommet and then attach over the roller tube bracket. (Refer to Figure 8)

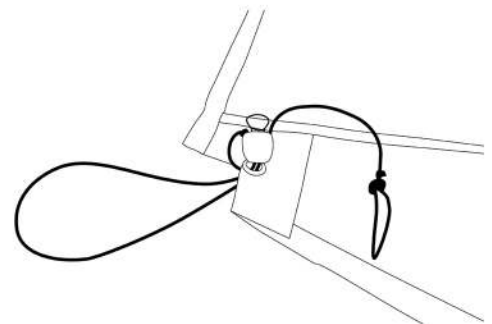


Figure 8. Pull Adjustment Cord Taught

6. Secure the side shade to the ground using the spike and tie downs provided.